



**STUBBLE CULTIVATORS  
RANGE**



# RANGE OF STUBBLE CULTIVATORS

Versatility and reliability are the features which distinguish TERREMOTO 3 and DRACULA minimum tillage equipment. They are both characterized by their high ground clearance and broad spacing between work tools so that the soil and residue flow quickly to avoid the risk of clogging. The hardened steel chassis allow direct use on hard ground to perform several tasks in a single pass. In this way, TERREMOTO 3 and DRACULA provide maximum adaptability to different ground and crop conditions for total use all year round.

## DRACULA

### AGRONOMIC BENEFITS



#### ***Incorporation of residues***

Timely burial of residue plays a fundamental role in activating organic substance decomposition processes and reducing pathogen levels in the soil. Remixing soil and organic substance (top 15 cm) promotes microbial activity in the soil, thereby ensuring better supply of nutrients available for the next crop cycle.

#### ***Breaking up work strata***

Breaking up the soil being worked ensures correct development of roots, facilitates water drainage and soil aeration, thereby improving crop resistance to biotic and abiotic stress.

#### ***Preparing the seed bed***

The final stage in tillage is the creation of the seed bed. Level and well refined soil is fundamental in ensuring good quality work by the seed drill.



TERREMOTO 3  
Stubble cultivator 4

DRACULA  
Combined cultivator 14



## ***ECONOMIC BENEFITS***

### ***Versatility in use***

Ideal for soil preparation for winter & spring crops (high moisture) as well as fast preparation of the soil for a second harvest (dry + residue).

### ***Efficiency***

Operations focused in a single pass for lower operating costs.

### ***Performances***

High work speed (8-12 km/h).

### ***Reliability***

Sturdy chassis and the use of high quality materials for extended working life.



# TERREMOTO 3

## Stubble cultivator

### TERREMOTO 3

#### **Cutting operating costs: try the difference!**

TERREMOTO 3 is a mounted stubble cultivator that embodies all the concepts of "Minimum Tillage". The sturdy chassis allows direct work even on hard ground; The three rows of ripper tines ensure optimal soil flow, while the rear roller levels off and reconsolidates the ground for the next sowing operation.

### TECHNICAL DATA CARD



Chassis	fixed			chassis	
Model	300	350	400	400	500
Power	HP 110-150	130-180	150-220	160-250	210-300
Working width	m 3	3,5	4	4	5
Transport width	m 3	3,5	4	3	3
NUMBER OF TINES	10	12	13	13	17
Distance between ripper tines	cm 730	730	730	730	730
Weight	Kh 1650	1930	2190	2640	3100
Hydraulic connectors				1DE	1DE

#### **The handyman for your farm!**

TERREMOTO 3 has two types of chassis: 3, 3.5 and 4 metre fixed and 4 & 5 metre folding. The models available can be hooked up to 100 - 300 HP tractors and achieve maximum operating efficiency above 10 Km/h.





**Fast preparation of the seed bed**

In summer.  
 TERREMOTO 3 can be used for preparation of firm ground for a second harvest. The large clearance between elements ensuring better flow of residue is one of the strong points of this equipment

**Roughing winter soil**

In winter-spring.  
 Roughing can be carried out as part of conventional soil working or minimum tillage depending on crop requirements.



**Burial of crop residues**

In autumn.  
 TERREMOTO 3 is ideal for direct work on unworked land or after deeper processing (ploughing-clod breaking). Its design has proven to be effective on wet land (U and V ring rollers).

**Depending on requirements**

In relation to the crop to be sown and the type of seed drill available, it is possible to opt for minimal preparation (1st pass) or a more refined seed bed (2nd pass).

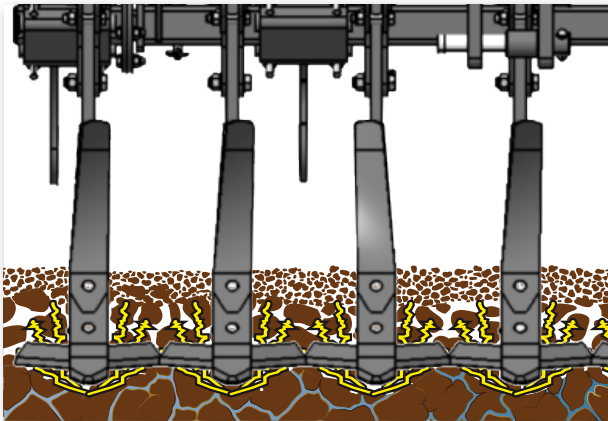




# Objective optimisation

## **A single pass for multiple benefits**

The sturdy chassis is divided into 2 work sections: the frontal section comprises 3 rows of well-spaced rippers that break the clods, remix the surface stratum and bury the residue. The rear section has one row of discs, arranged behind the rippers, that level the ground. Lastly, a re-compaction roller re-consolidates the ground to leave it ready for sowing.



## **Uniform preparation over the entire surface**

The rippers are spaced at 300 mm from each other so that TER-REMOTO 3 boasts a uniform work front and incomparable soil refining quality. A kit of side rippers is also available (310 mm) for complete processing over the entire working width.



**Zone 1**

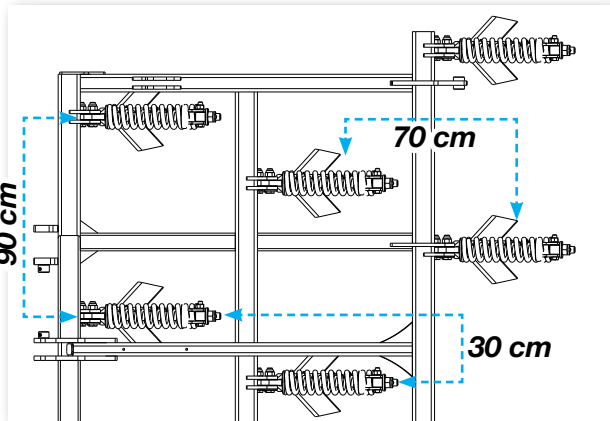
## **Rippers**

The rippers are arranged in staggered manner over 3 work rows to ensure the best flow of soil even at high work speeds. Each ripper is fitted with a side deflector that remixes the soil as well as burying the surface residue.

# Technology made easier

## **Working residues without clogging**

The sturdy chassis has square hollow sections that ensure maximum reliability and strength. High ground clearance (900 mm) and the distribution of the rippers over 3 well-spaced rows (700 mm) ensure maximum speed of use without the risk of clogging.



**Zone 2**

**Zone 3**

## **Levelling ground without leaving traces**

After the rippers have passed, a row of  $\varnothing$  510 mm discs levels off the ground, buries the residue and closes any furrows that may be left. The discs are mounted on Silent Blocks and are staggered to ensure optimal flow even with soil that is wet or rich in residue.

## **Effectiveness made easy!**

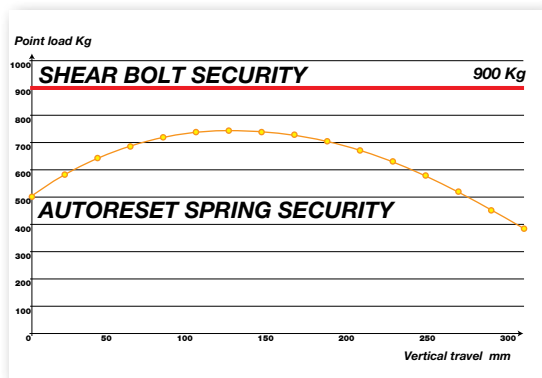
The TERREMOTO 3 stubble cultivator ensures maximum land preparation versatility. It's effectiveness is well-proven on autumn-spring land with high moisture as well as when there is considerable residue, for example when handling a second summer harvest.



# TERREMOTO 3

## Set-ups and accessories

### TERREMOTO 3

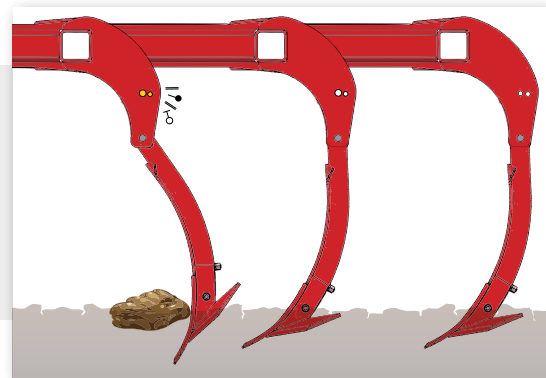


#### Ready for everything: from peat to rock

The TERREMOTO 3 cultivator is available with rippers as a version with a safety bolt or with a No-Stop spring system. While retaining the attachment's overall features, the version with the No-Stop system can also be utilised with success on stony ground.

#### Safety bolt

An effective and economic safety bolt indicated for ground with little shale protects the structure of the chassis. In the event of accidental blows against roots and rocks, the bolt snaps so that the ripper can be lifted. In this case, repair is very easy and accessible and only requires the replacement of the individual bolt.



#### No-Stop version

For even more working comfort and more versatility on ground rich in shale, a No-Stop version is available with spring shock absorbers. During work stages, the ripper is protected by the spring that intervenes at pressures over 500 kg: it lifts until the obstacle is overcome and then returns to the work position.

#### Anti-stress shock absorber

The twin-spring structure cancels out vibrations in the work stage and ensures that the spring intervenes only after the calibration load is exceeded.



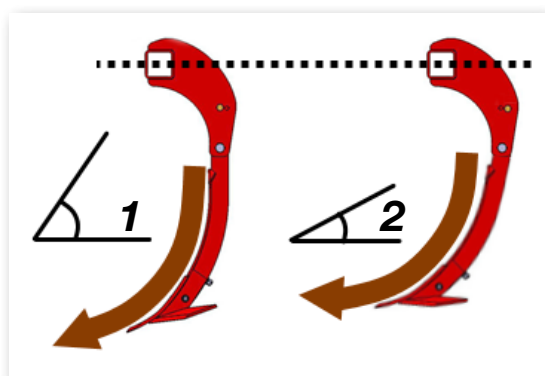
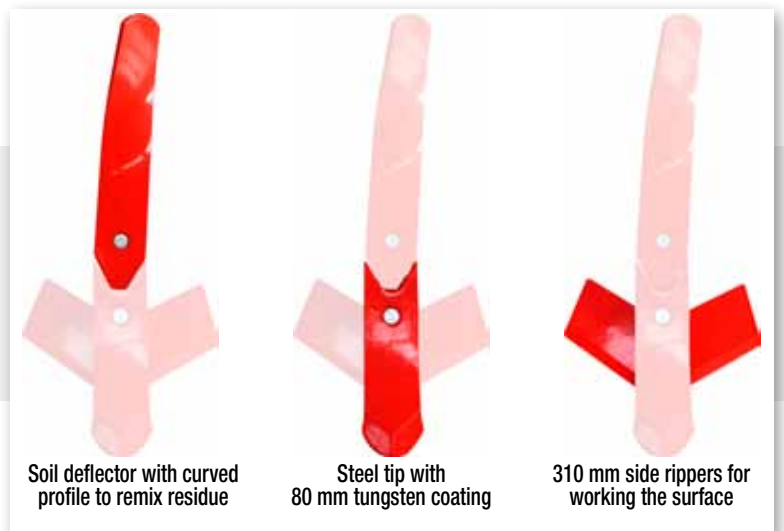


### **A ripper with a special profile**

The special outline of the deflector helps intercept part of the ground, push it forwards and then return and bury it in a single pass. This creates a wave effect that increases soil refining capacity right from the first pass.

### **Long-life tip**

To ensure a long operating life-span even when working difficult land, hardened steel tips are available with tungsten coatings for even better resistance to abrasion.



### **Dual work position**

In relation to the hardness of the ground and tractor power, rippers can be arranged in 2 work positions: in the first position (1) the ripper has a more aggressive tip approach angle to work more soil; in the second position (2) the approach angle is more closed for lower power absorption .



# Select the roller best suited to your farm

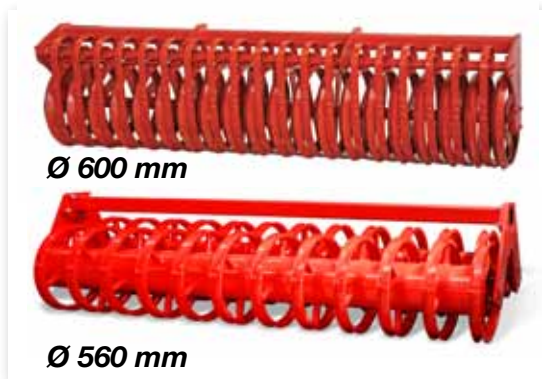
## TERREMOTO 3

### *Drum roller...*

The roller plays a fundamental role in setting up the machine. TERREMOTO 3 is available in versions with a fixed chassis or a folding chassis, with different kinds of roller depending on the type of land, management of farming operations and crop conditions.







***Ring roller and U roller***

These roller models offer maximum in-use versatility, especially on wet land that has to be levelled and consolidated without excessive compaction. Compact bands alternating with unworked bands are created on the ground that encourage the exchange of air and water while avoiding the formation of surface crusts or stagnant water.

***Cage roller***

Ideal for dry ground, providing good refining and surface levelling. The Ø 600 mm diameter is ideal for reducing excessive clods. The limited weight reduces the rear overhang for better hook-up with lightweight tractors.



***Rubber roller***

Ideal for dry and even heavy ground; helps develop an optimal seed bed by creating a compact surface stratum. The moisture in the soil is trapped and allows rapid germination of the crop. It is especially indicated for sowing cereals with 12.5 cm rows.



# DRACULA

## Combined cultivator



### Everything in a single pass

sturdiness and productivity are the main features of DRACULA, the top of the range combined cultivator from Maschio for tillage. In a single tool, DRACULA combines advantages such as efficiency, speed and quality of work: thanks to the combination of discs and rippers, this cultivator handles - in a single pass - crop residues, soil aeration, levelling and preparation of the seed bed.



### TECHNICAL DATA CARD

Model		430	630
Chassis		chassis	chassis
Power	HP	280-400	350 -600
Working width	cm	430	630
Transport width	m	3	3
Working depth	cm	0-30	0-30
Number of tines		9	13
Discs N°/ø	mm	18/610	26/610
Weight	Kg	8150	10500
Hydraulic connectors	N° pairs	3	3

### The handyman for your farm!

DRACULA is a combined cultivator comprising 3 work sections capable burying residue, de-compacting deeper strata and re-compacting the soil. The possibility of adjusting each section independently means that DRACULA adapts to the needs of every site for 360° flexibility in use.



# The right solution in every situation



## ***Wet ground in winter***

In winter-spring.

DRACULA can be used to bury crop residue and prepare the soil for sowing in spring. Working depth up to 30 cm.

## ***Dry land rich in residue***

In summer.

Preparation tillage for a second harvest. Independent management of sections for working the surface at 15-20 cm.



## ***Tenacious land rich in residue***

In autumn.

The DRACULA cultivator can act directly on unworked land even when there is plentiful residue.

The front disc set offers excellent clearance for maximum flow of residue and soil.

***Everything in a single pass!***



# Maximizing results

## **Heavy Duty frame**

The various work sections are held together by a solid, sturdy central chassis. Tested in the most demanding work conditions, it can be hooked up to tractors offering powers of up to 600 HP and is capable of operating a high work speeds (around 8-10 km/h).



## **Perfect towing with every kind of tractor**

The threaded drawbar means that the height of the eyebolt can be adjusted in relation to the fitting on the tractor (from 40 to 90 cm) to ensure a correct setting of the work level.



**Zone 1**

## **Cutting and mixing**

The two rows of front discs cut the residue, pull the roots and remix organic substance in the soil for faster decomposition. The 610 mm discs allow work depths up to 15 cm.



# Technology made easier

## **Achieving the ideal setting**

DRACULA's various work sections are designed to be adjusted independently so that correct settings can always be achieved. Four pairs of twin-acting distributors mean that the aggressiveness of the disc set, the depth of the rippers, the height of the levelling discs and the pressure of the compaction roller can all be managed from the cab of the tractor.



## **Residue: no problem!**

The aggressive cutting angle, together with large-diameter discs, is ideal for burying surface residue.



## **Zone 2**

### **Clod breaking**

The rippers are distributed over 3 rows to allow more flow of soil and avoid clogging when working residue. The shape of the ripper is designed to ensure more penetration into the soil for a work depth up to 30 cm.

## **Zone 3**

### **Levelling and re-consolidation**

The rear section levels off and re-consolidates the land: a row of  $\varnothing$  510 mm discs with a Silent Block shock absorber system closes the furrows left by the rippers, while the roller (600 mm in diameter) re-consolidates the soil for subsequent sowing.



# DRACULA

## Technology and quality

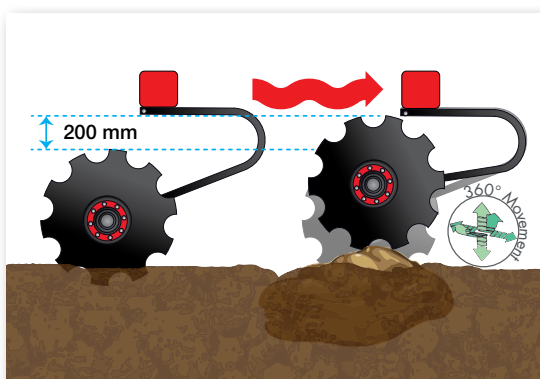
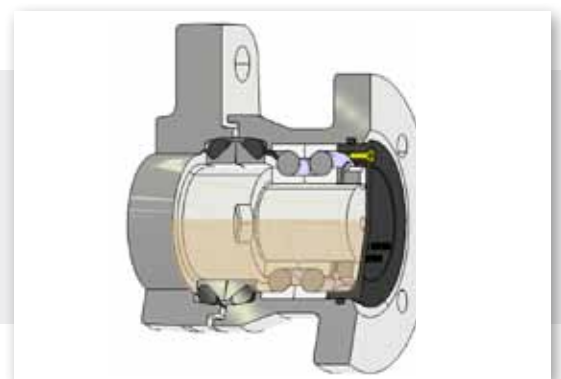


### **Aggressive character**

Thanks to its discs (610 mm in diameter) mounted on independent, high-travel "C" springs, DRACULA offers impressive ground cutting and burying performance even on the toughest sites while also handling large quantities of residue. The very aggressive disc profile amplifies the cutting effect on the residue, while always ensuring impressive incisiveness on the ground.

### **Objective: cutting maintenance times**

To ensure high working autonomy, the two rows of discs have a special high-performance "CULTI-HUB". The dual oil bath bearing is effectively protected by a sealing system against water, mud and dust. Oil bath lubrication ensures long operating life and does not require greasing at regular intervals.



### **"C-shaped" spring for even more versatility**

To ensure maximum in-use versatility of the disc set, a special "C-shaped" spring has been developed that ensures high flexibility (travel of 200 mm) and a long operating life. The simple, straightforward shape prevents any clogging with soil and residue.



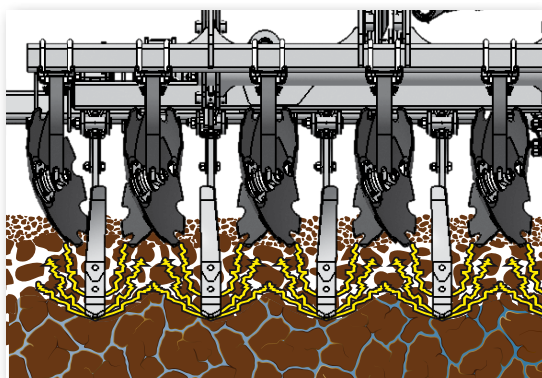
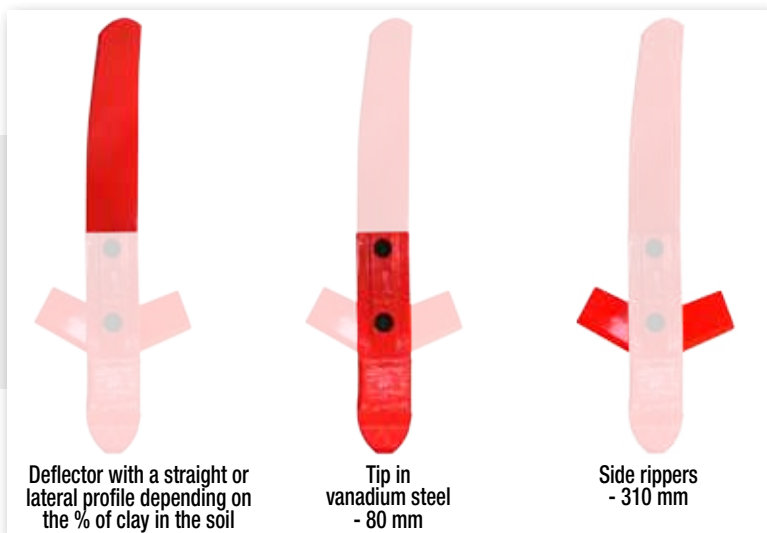


**DRACULA**



**No-stop on all types of land**

DRACULA is equipped as standard with No-stop shock absorbed rippers that overcome impacts with rocks and roots by lifting in the event of pressures in excess of 700 kg. The dual spring structure cancels out vibrations and ensures linear compression capable of limiting years and returning the ripper to the correct work depth after passing the obstacle.



**Combined system for assured impact**

The perfect overlapping of large-diameter discs and rippers ensures uniform processing over the entire working width. To achieve maximum work effectiveness, discs and rippers are arranged at equal distances to provide incomparable work uniformity.



# A universal roller for every work condition

## DRACULA

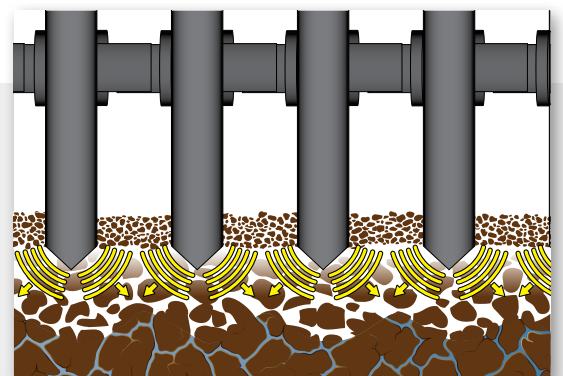
### **Ideal flattening and levelling**

To ensure that rear section is always set in the best possible way, it is important to adjust the depth of the rear roller (1) as well as the height of the levelling discs (2). In this way, it is possible to achieve the correct work depth as well as level off the soil by closing the furrows created by the rippers.

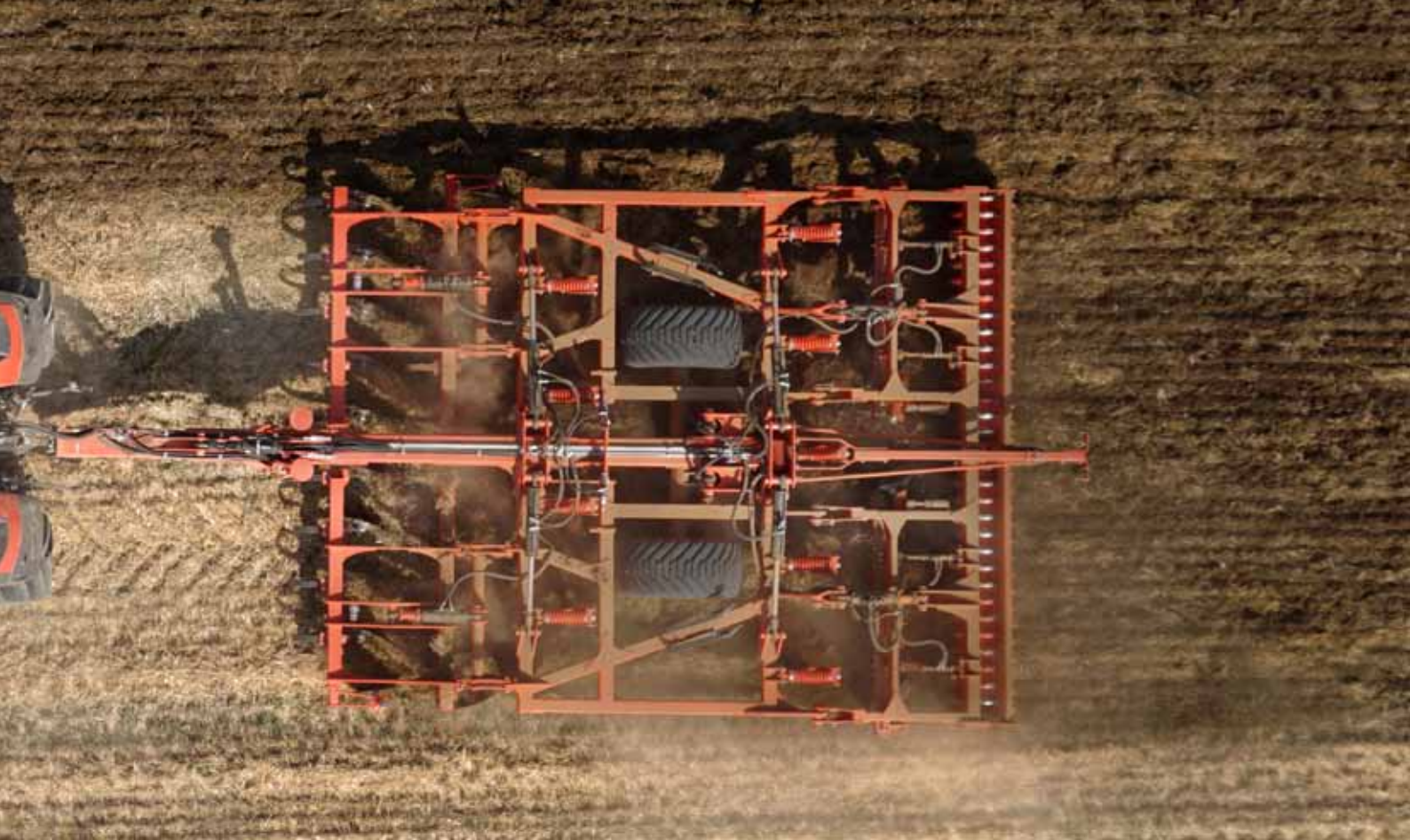


### **Ring Packer Roller: maximum results in every condition**

DRACULA is equipped with a Packer Ring Roller (ø 600 mm) specifically for soil re-consolidation. In this case, the vertical impact of the roller allows refinement of the surface soil while leaving more clods in the underlying strata for better root development. This kind of seed bed presents alternating worked and unworked bands for more versatility in wet soils.







#### ***On-road transport for 430 and 630 versions***

The folding chassis with two sections means that DRACULA can fit into 3 metres for transport (4.3 metre and 6.3 metre versions alike). The broad cross-section wheels in the middle of the machine limit the load on the drawbar and reduce trampling in the field.



#### ***Maximum safety in the field and during transport***

To ensure safe on-road circulation, DRACULA can be type-approved with a hydraulic or pneumatic braking axle. When the machine is not hooked up, a parking brake immediately locks the wheels.





